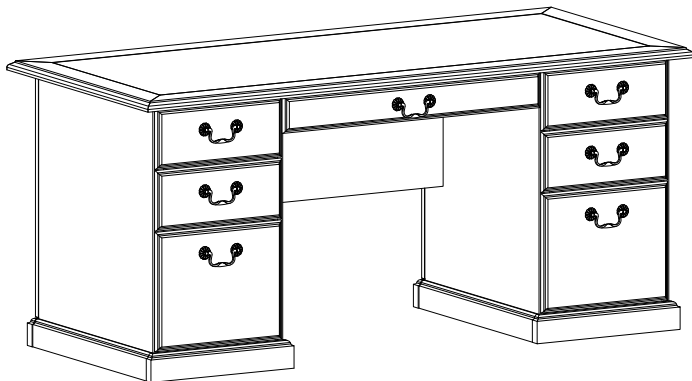


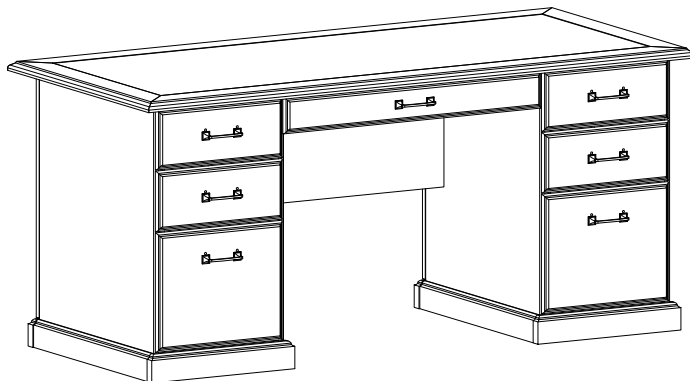
ASSEMBLY INSTRUCTIONS

Important Safety Instructions:

- Please read all instructions before beginning assembly
- Please make sure receive all the parcels to start the assembly
- For your safety and convenience, assembly by two people is recommended
- Use the parts and hardware lists to identify and separate each of the components included
- Save all packing materials until assembly is completed to avoid the accidental discarding of smaller parts or hardware



YH1212



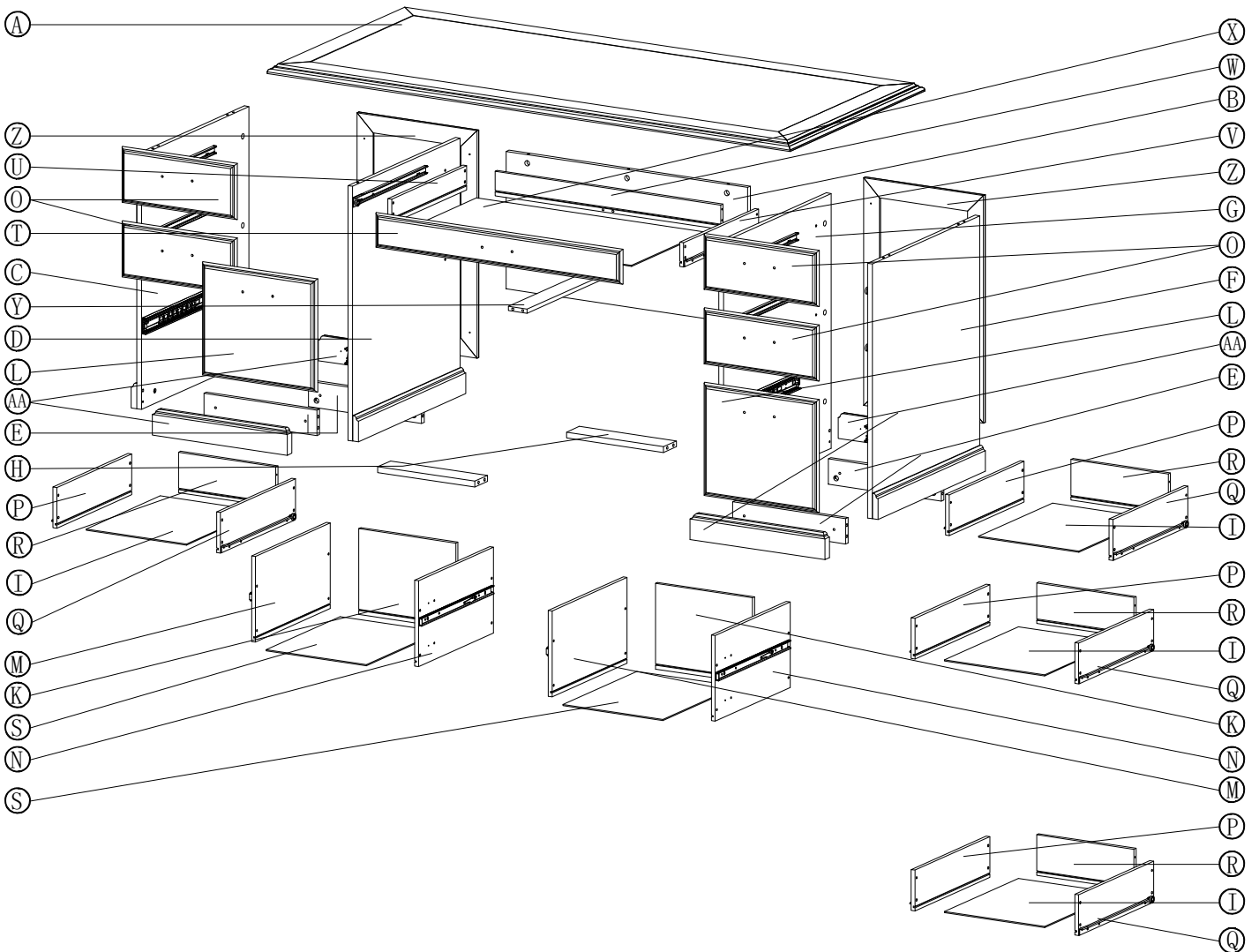
YH1201
YH1225



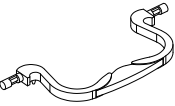

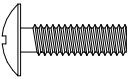

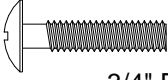
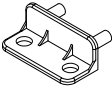
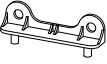
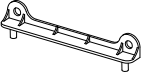

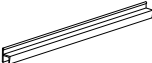






THANK YOU FOR PURCHASING

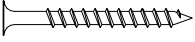
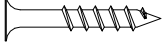
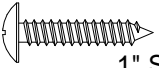
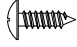
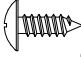
PARTS LIST

Ⓐ X1	Ⓑ X1	Ⓒ X1	Ⓓ X1	Ⓔ X4
Ⓕ X1	Ⓖ X1	Ⓗ X2	Ⓙ X4	
Ⓚ X2	Ⓛ X2	Ⓜ X2	Ⓝ X2	Ⓞ X4
Ⓟ X4	Ⓠ X4	Ⓡ X4	Ⓢ X2	Ⓣ X1
Ⓤ X1	Ⓥ X1	Ⓦ X1	Ⓧ X1	Ⓨ X1
Ⓩ X2	ⓂⓂ X4			



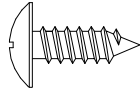
HARDWARE LIST

Name		Part	Qty.	Spare	
A1	Y H		7		
B1	1 2		14		
S8	1 2	 9/16" Bolt	14	1	
A1	Y H	Y H		7	
S8	1 2 0 1	1 2 2 5	 3/4" Bolt	14	1
D1			2		
E1			8		
F1			4		
K1			2		
L1			4		
M1			2		
N1			2	1	
O1			2	1	
P1			33	1	
Q1			33	1	
R1			16	1	

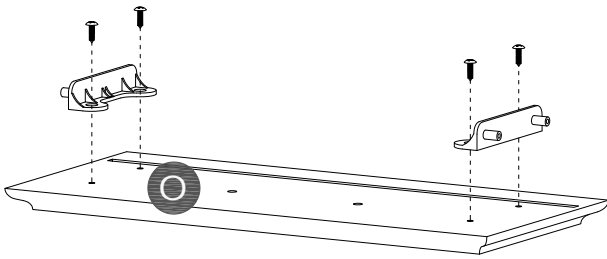
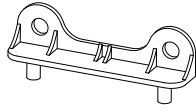
Name	Part	Qty.	Spare
S1	 2" Screw	4	
S2	 1-1/2" Screw	30	1
S3	 1" Screw	8	
S4	 1/2" Screw	28	1
S5	 9/16" Screw	28	1

STEP 1

S₅ x 16pcs



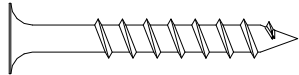
E₁ x 8pcs



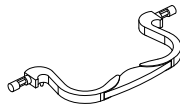
x 4

STEP 2

S₂ x 16pcs



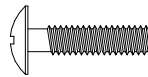
A₁ x 4pcs



B₁ x 8pcs

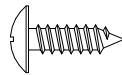


S₈ x 8pcs



Y
H
1
2
1
2

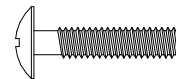
S₄ x 16pcs



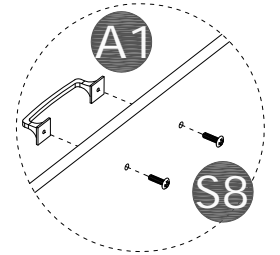
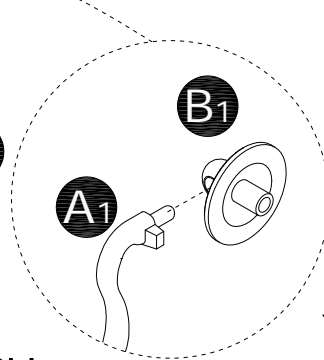
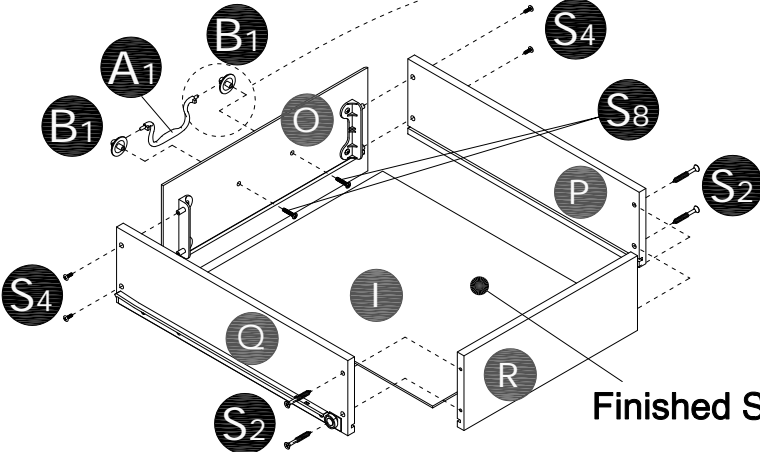
A₁ x 4pcs



S₈ x 8pcs



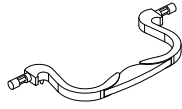
Y	Y
H	H
1	1
2	2
0	2
1	5



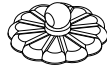
x 4

STEP 5

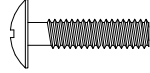
A1 x 1pc



B1 x 2pcs



S8 x 2pcs

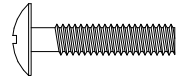


Y
H
1
2
1
2

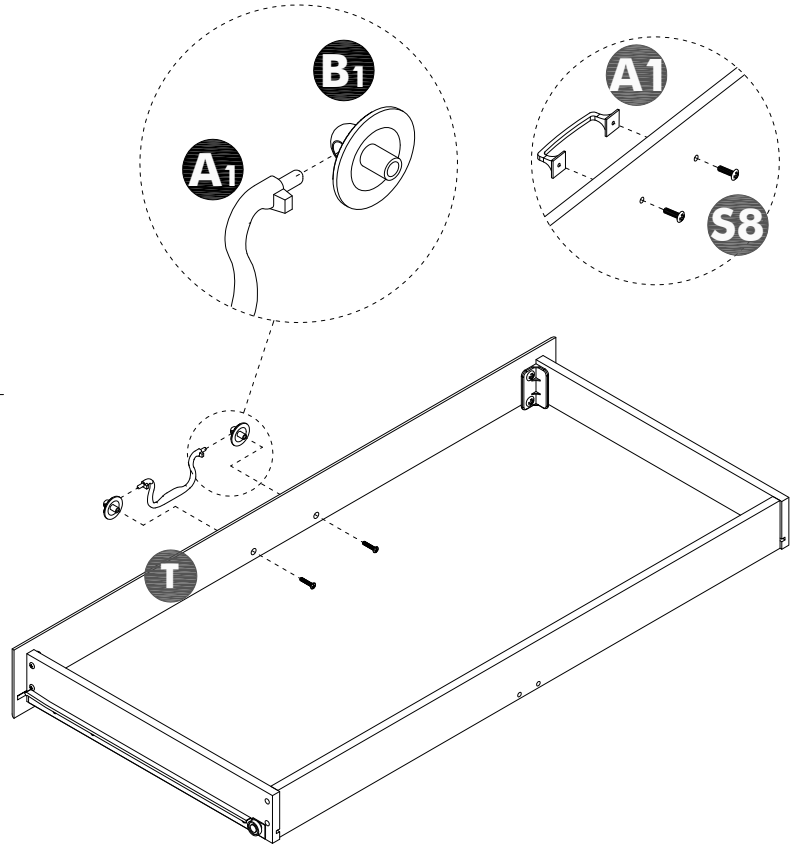
A1 x 1pc



S8 x 2pcs

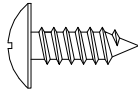


Y	Y
H	H
1	1
2	2
0	2
1	5

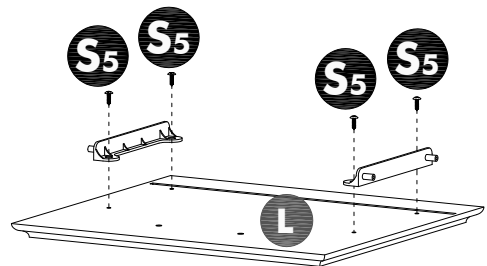
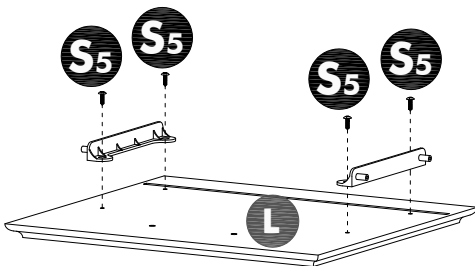
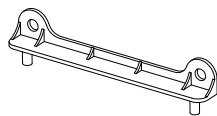


STEP 6

S5 x 8pcs

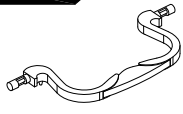


F1 x 4pcs



STEP 7

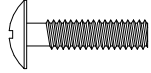
A₁ x 2pcs



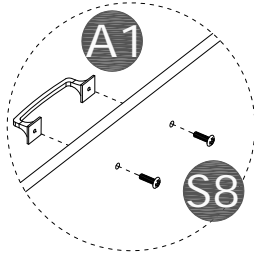
B₁ x 4pcs



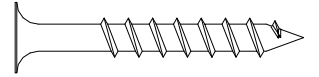
S₈ x 4pcs



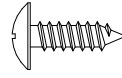
Y
H
1
2
1
2



S₂ x 8pcs



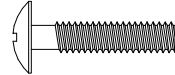
S₄ x 8pcs



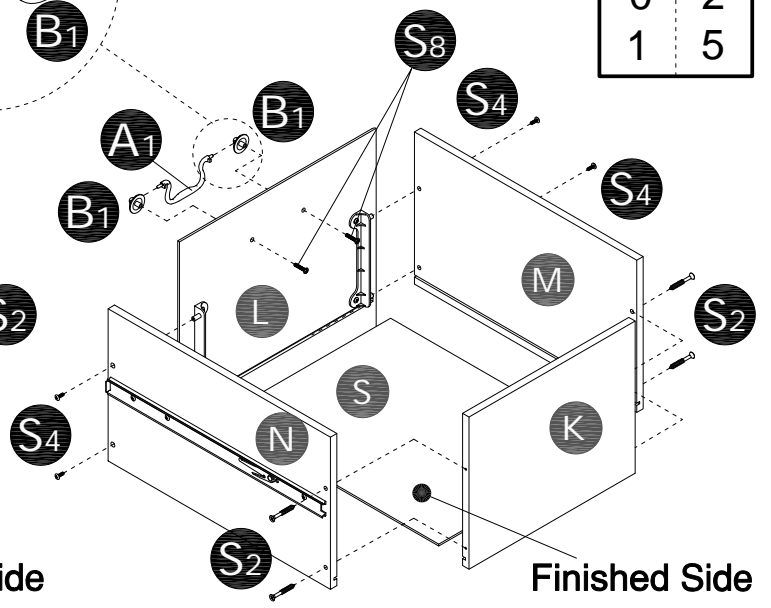
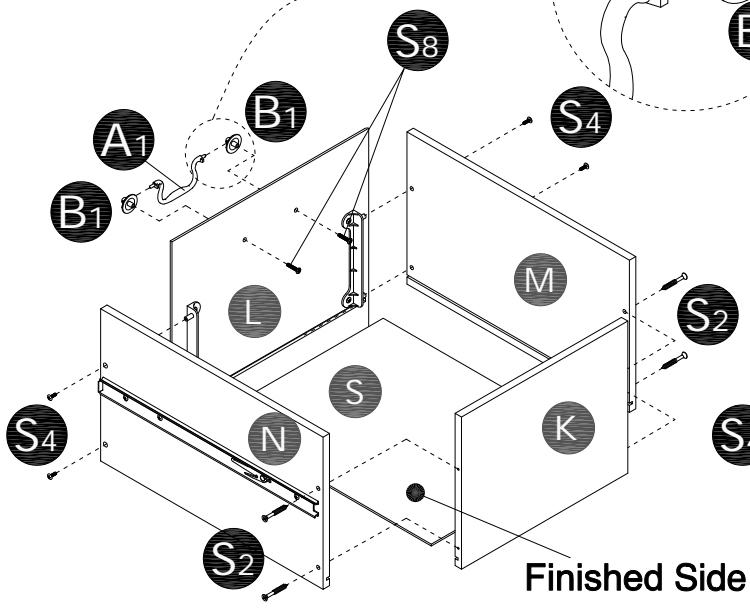
A₁ x 2pcs



S₈ x 4pcs



Y	Y
H	H
1	1
2	2
0	2
1	5

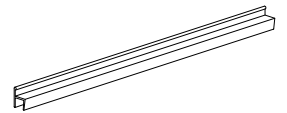


STEP 8

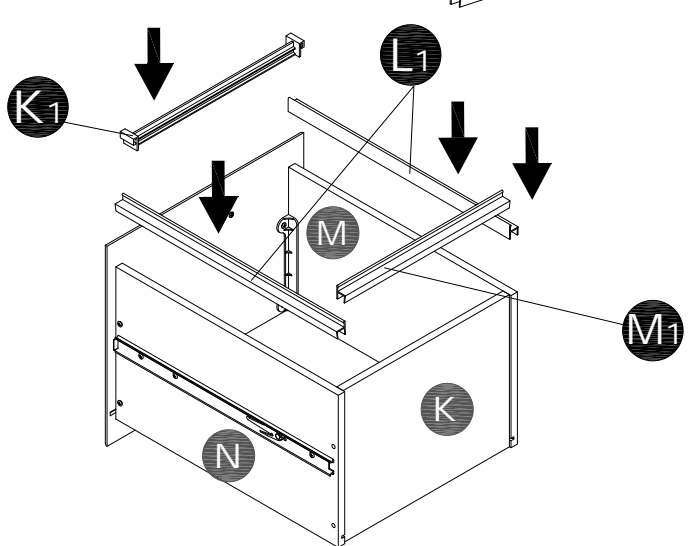
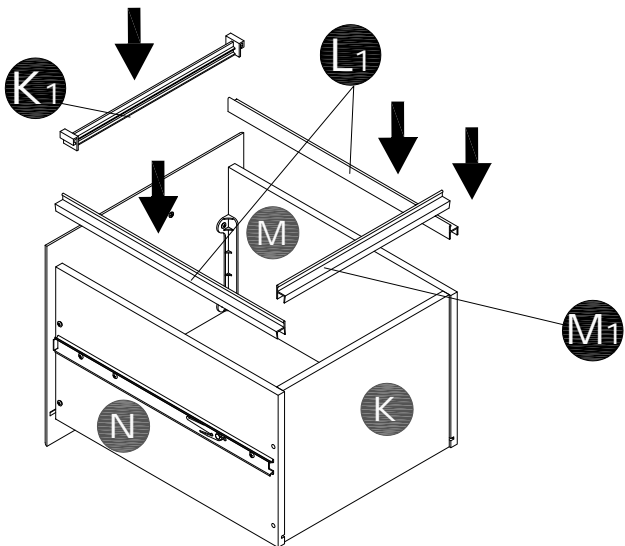
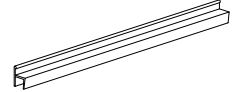
K₁ x 2pcs



L₁ x 4pcs

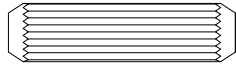


M₁ x 2pcs

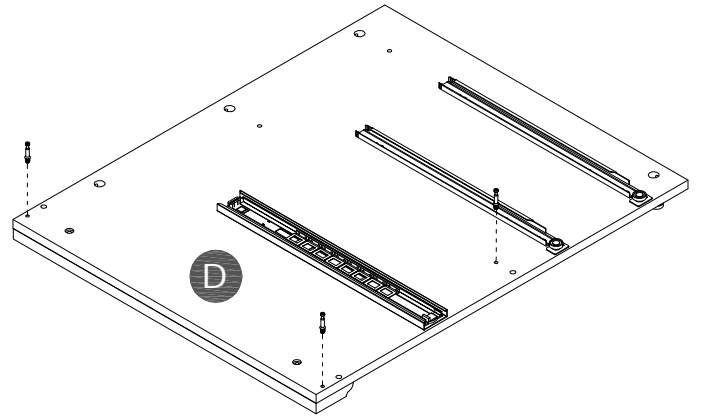
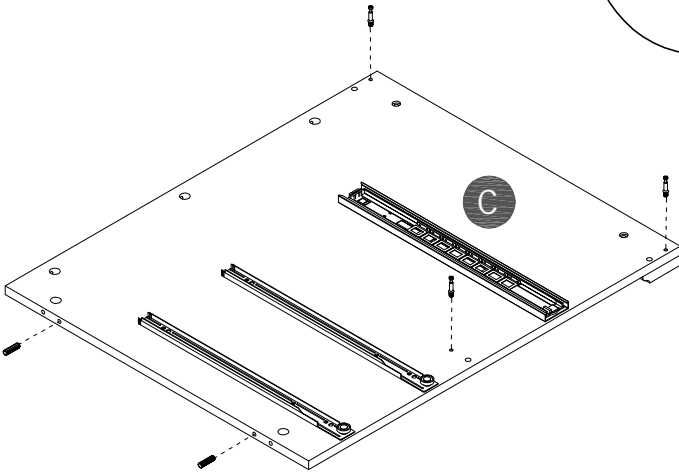
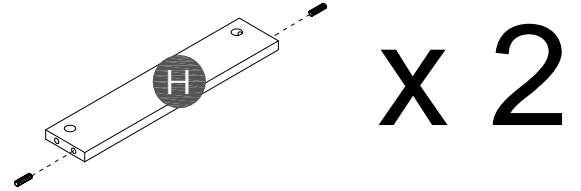
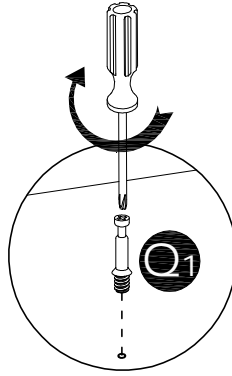
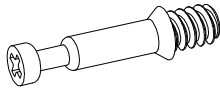


STEP 9

R₁ x 6pcs

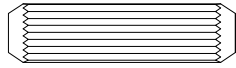


Q₁ x 6pcs

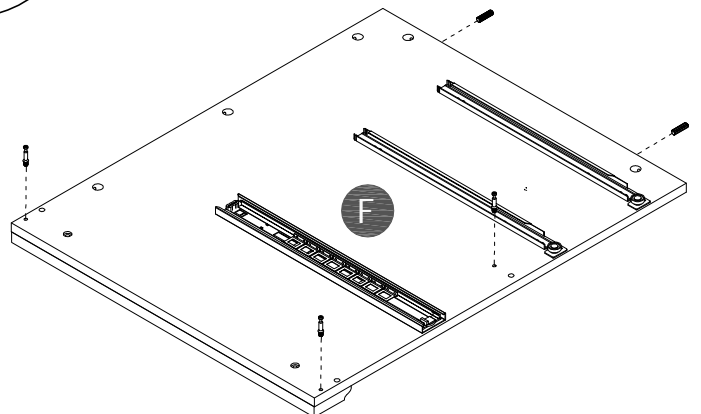
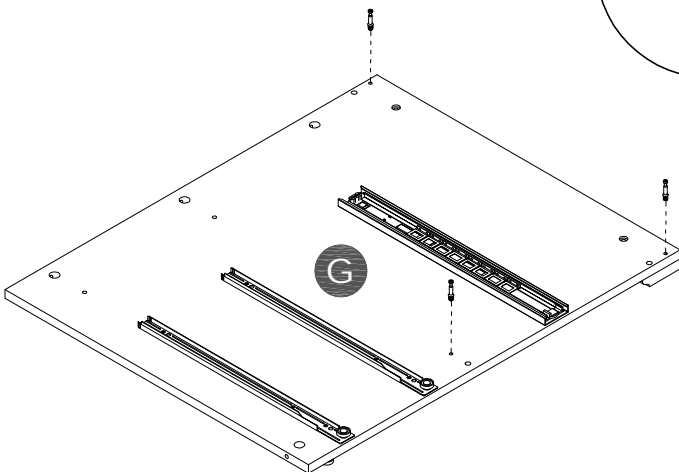
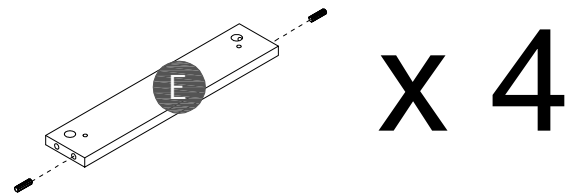
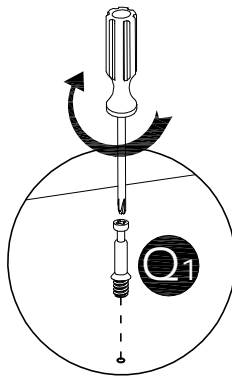
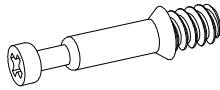


STEP 10

R₁ x 10pcs

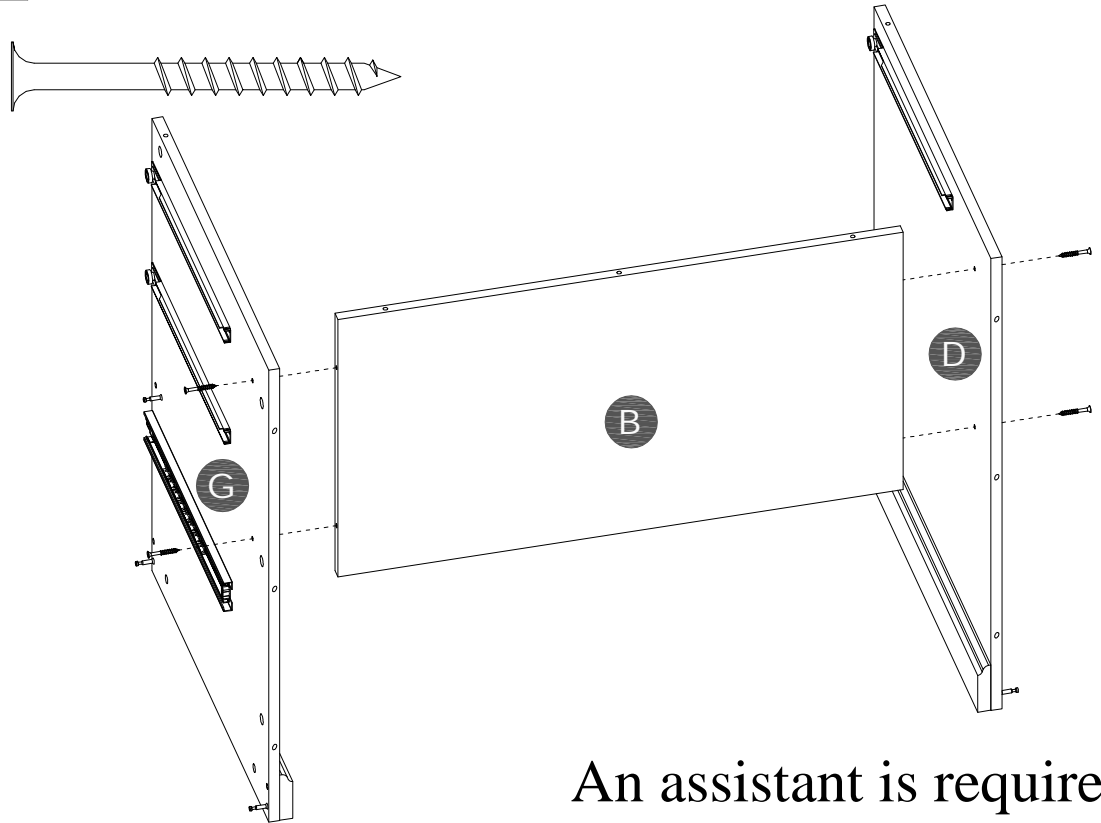


Q₁ x 6pcs



STEP 11

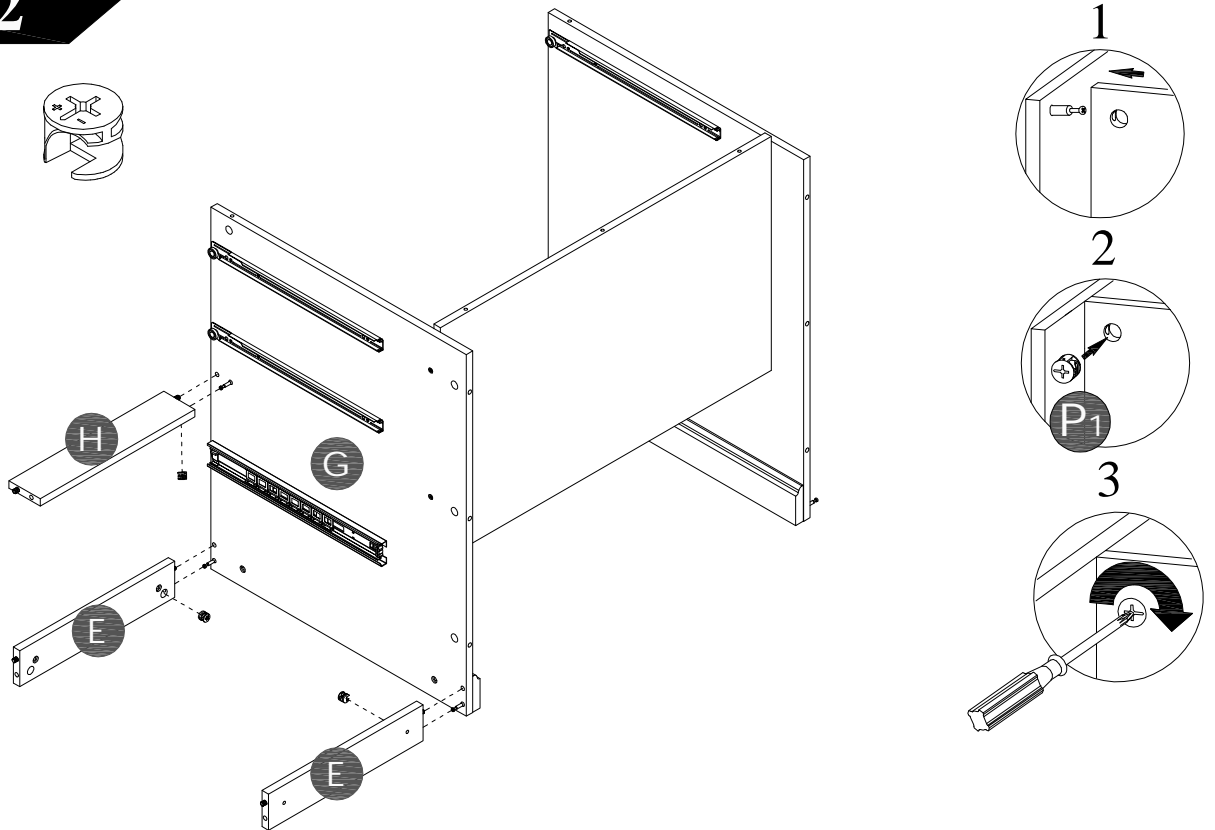
S₁ x 4pcs



An assistant is required.

STEP 12

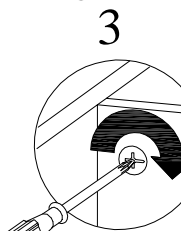
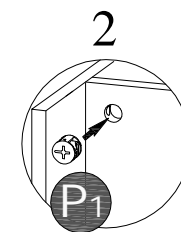
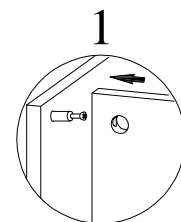
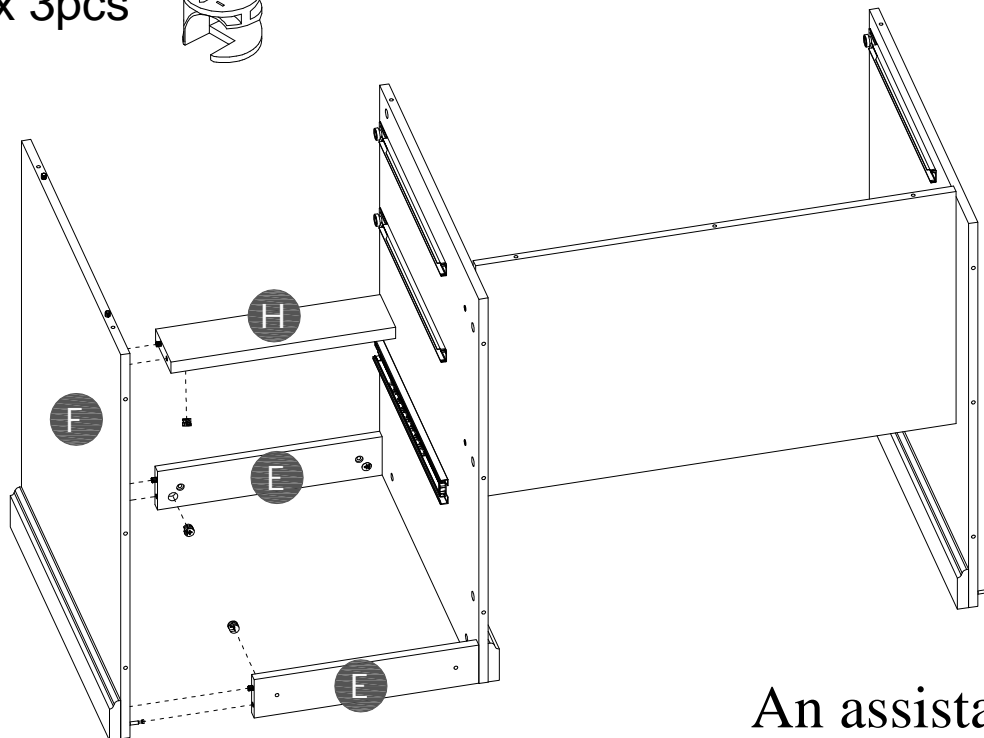
P₁ x 3pcs



An assistant is required.

STEP 13

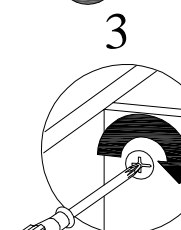
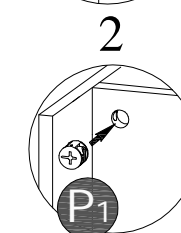
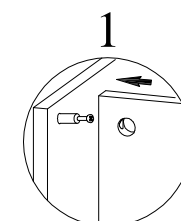
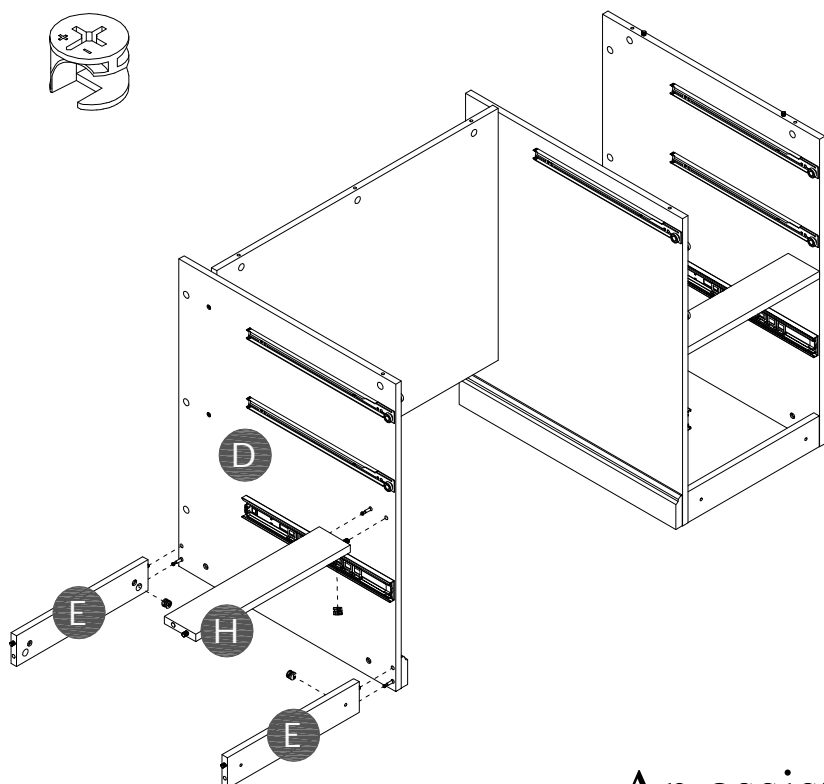
P₁ x 3pcs



An assistant is required.

STEP 14

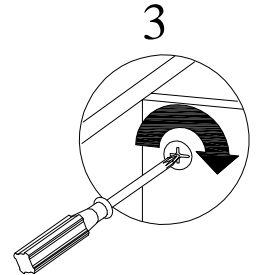
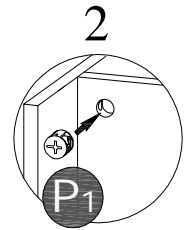
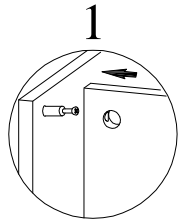
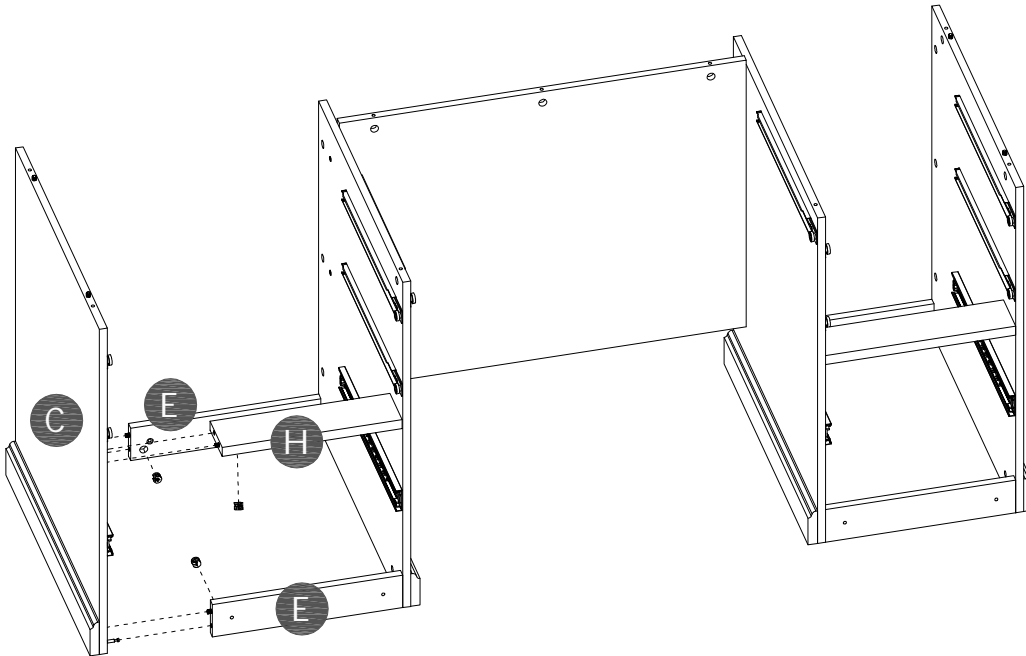
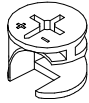
P₁ x 3pcs



An assistant is required.

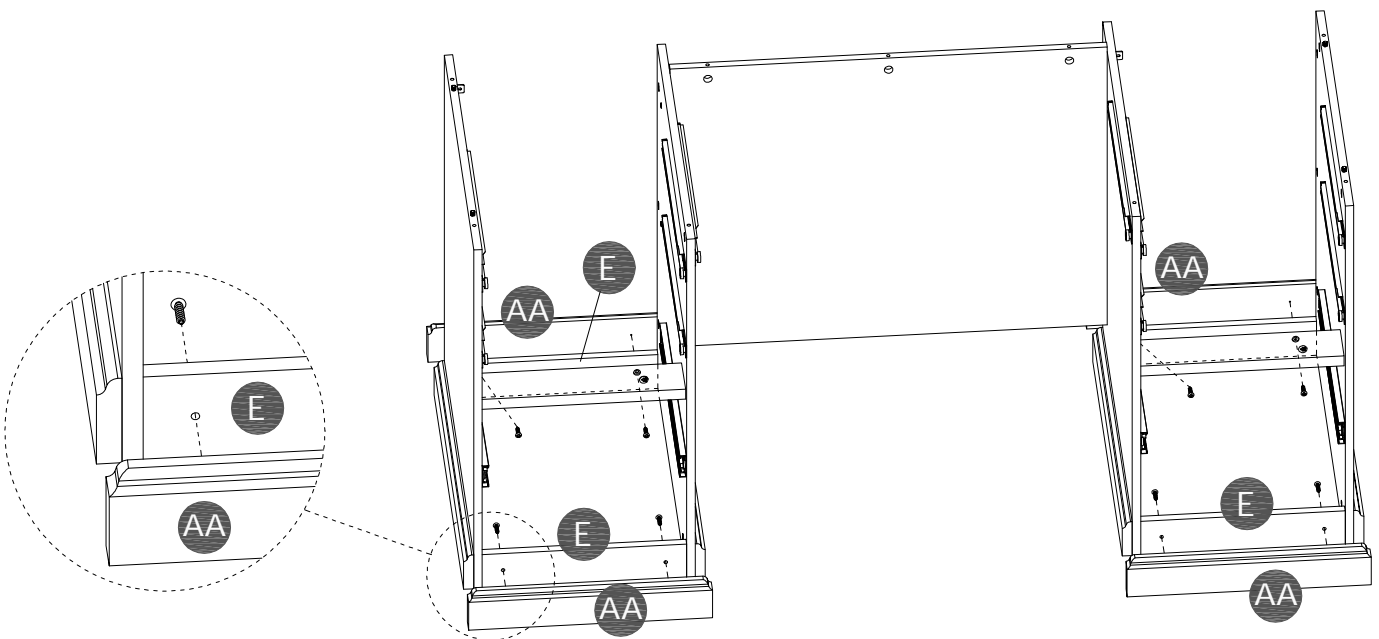
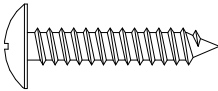
STEP 15

P₁ x 3pcs



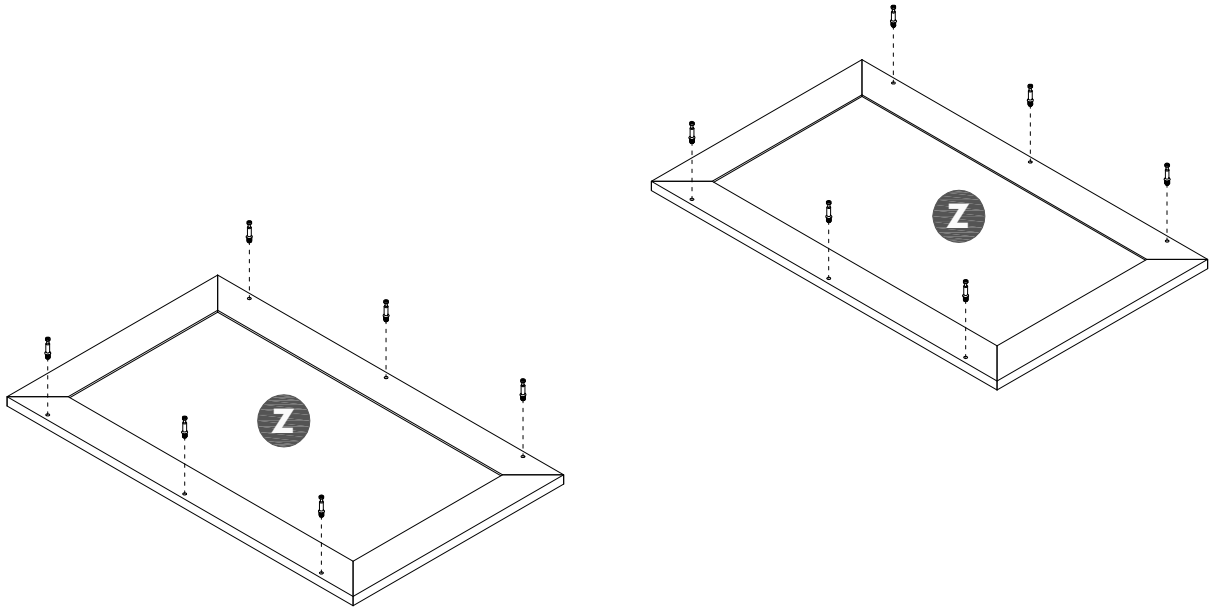
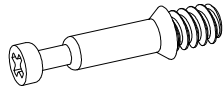
STEP 16

S₃ x 8pcs



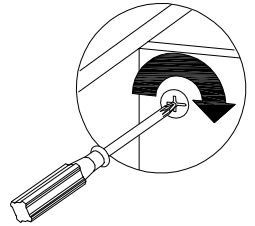
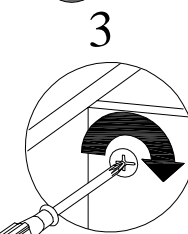
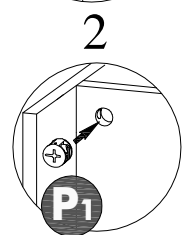
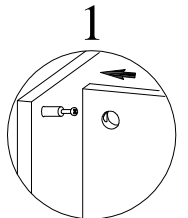
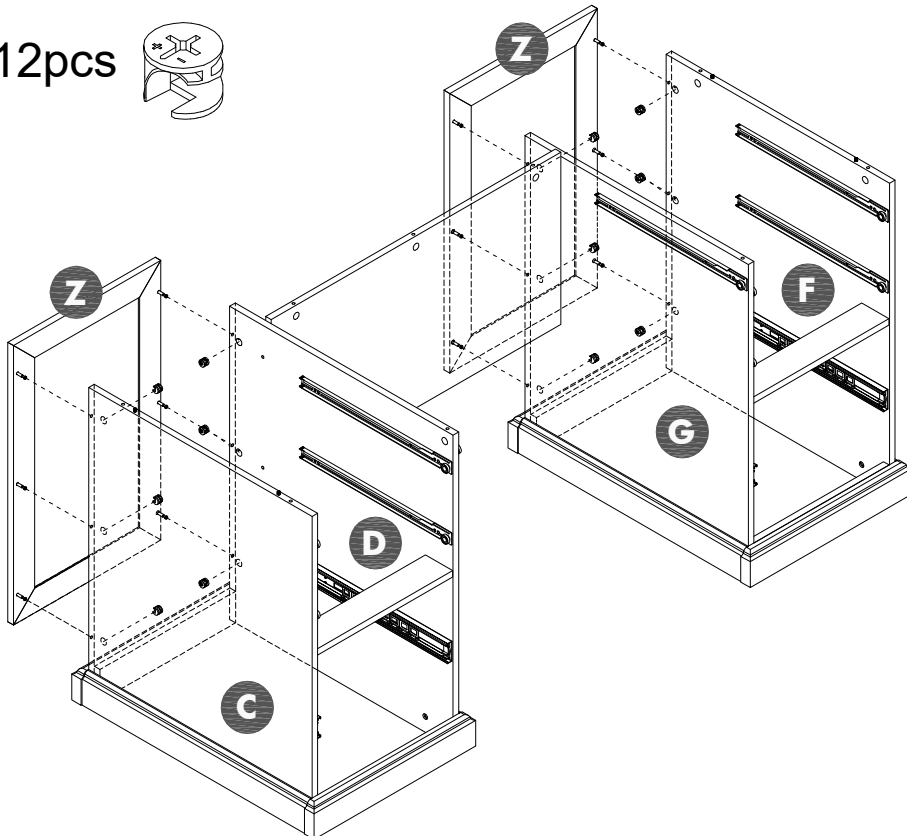
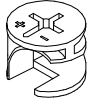
STEP 17

Q1 x 12pcs



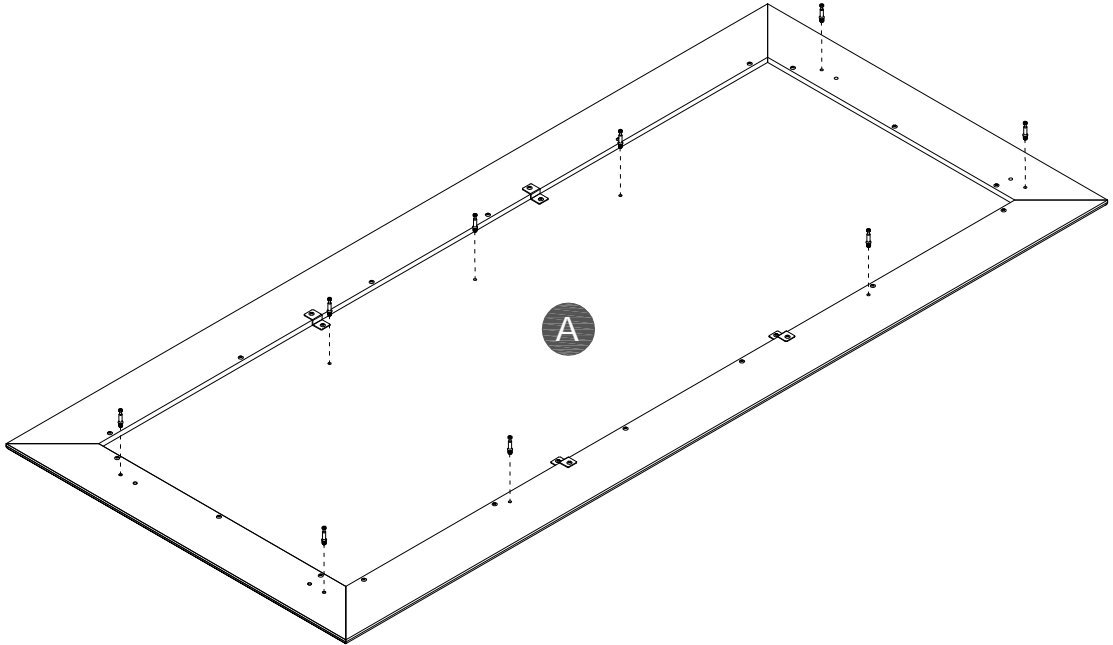
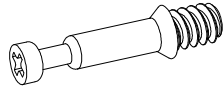
STEP 18

P1 x 12pcs



STEP 19

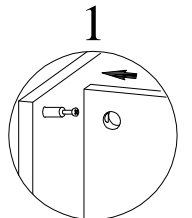
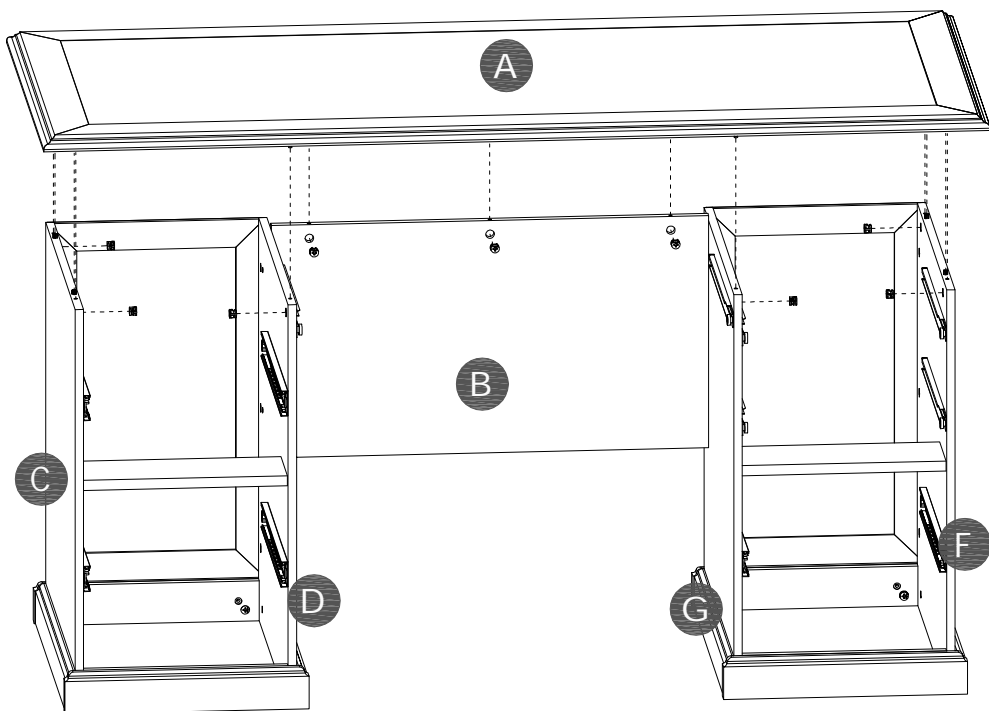
Q₁ x 9pcs



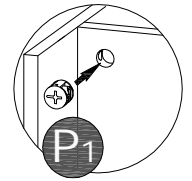
STEP 20

An assistant is required.

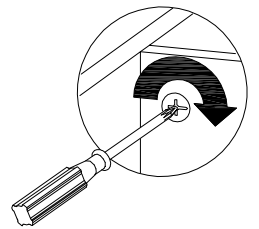
P₁ x 9pcs



2



3



STEP 21

-Move unit to final location.

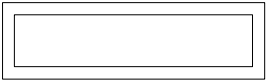
-Adjust drawer fronts as shown below.

Step1--Loosen screws on back of drawer front brackets as shown.

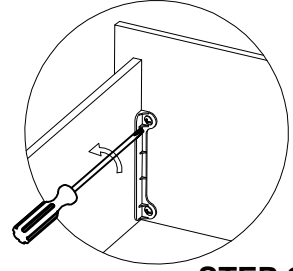
Step2--Position drawer front as required.

Step3--Tighten screws while holding drawer front in position.

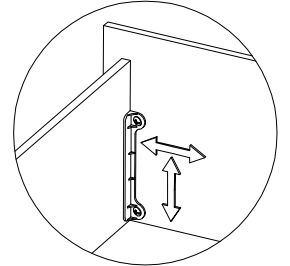
DRAWER FRONT VIEW



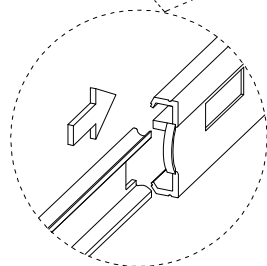
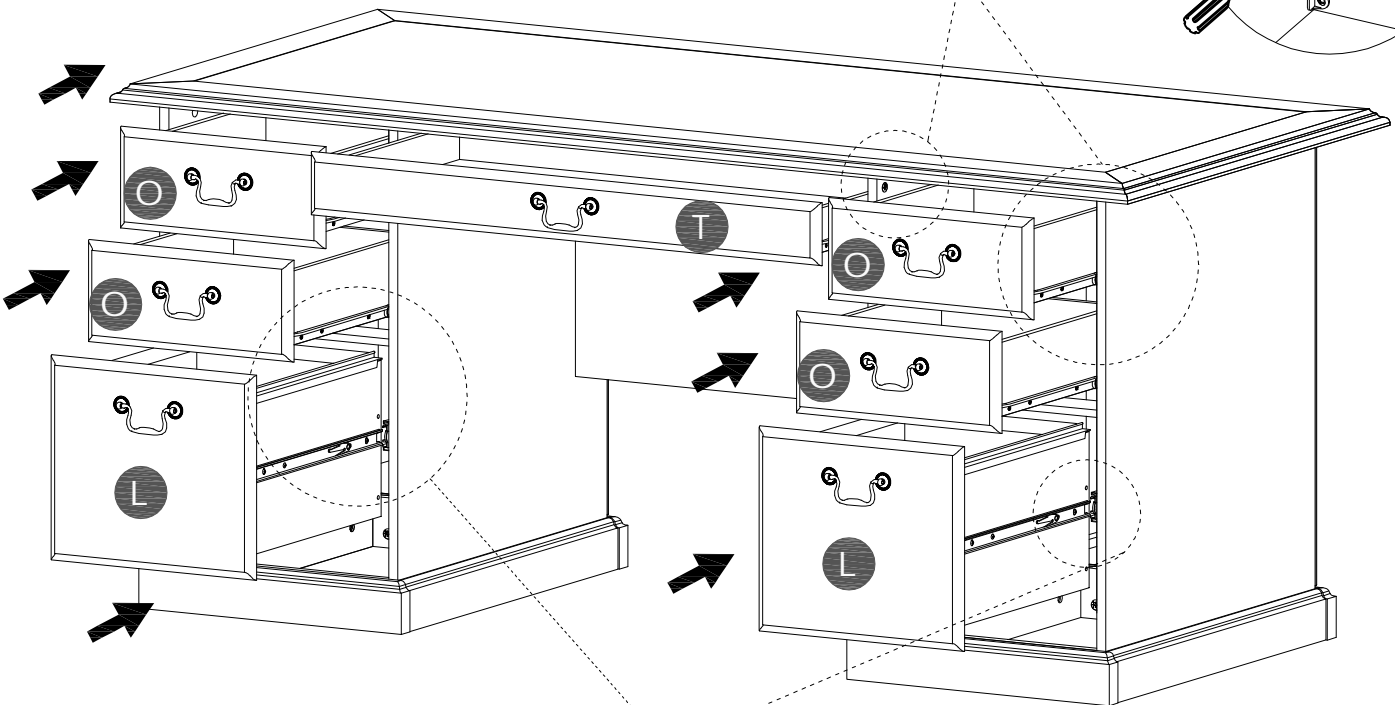
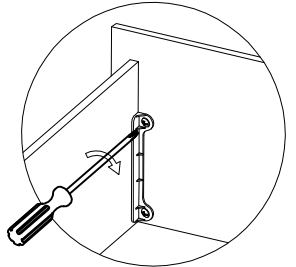
STEP 1.



STEP 2.



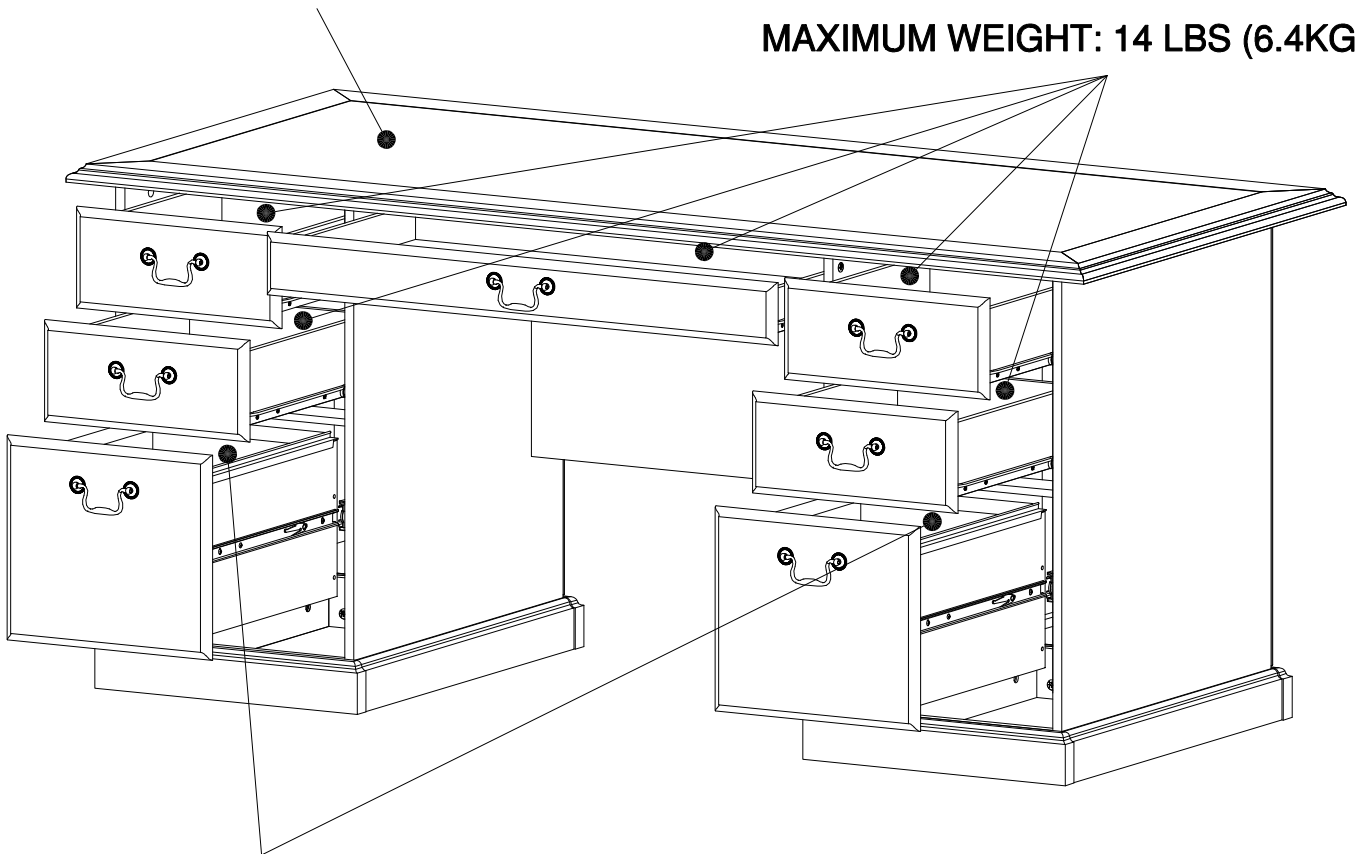
STEP 3.



Maximum weight capacities

MAXIMUM WEIGHT: 200 LBS (91KG)

MAXIMUM WEIGHT: 14 LBS (6.4KG)



MAXIMUM WEIGHT: 35 LBS (16KG)